

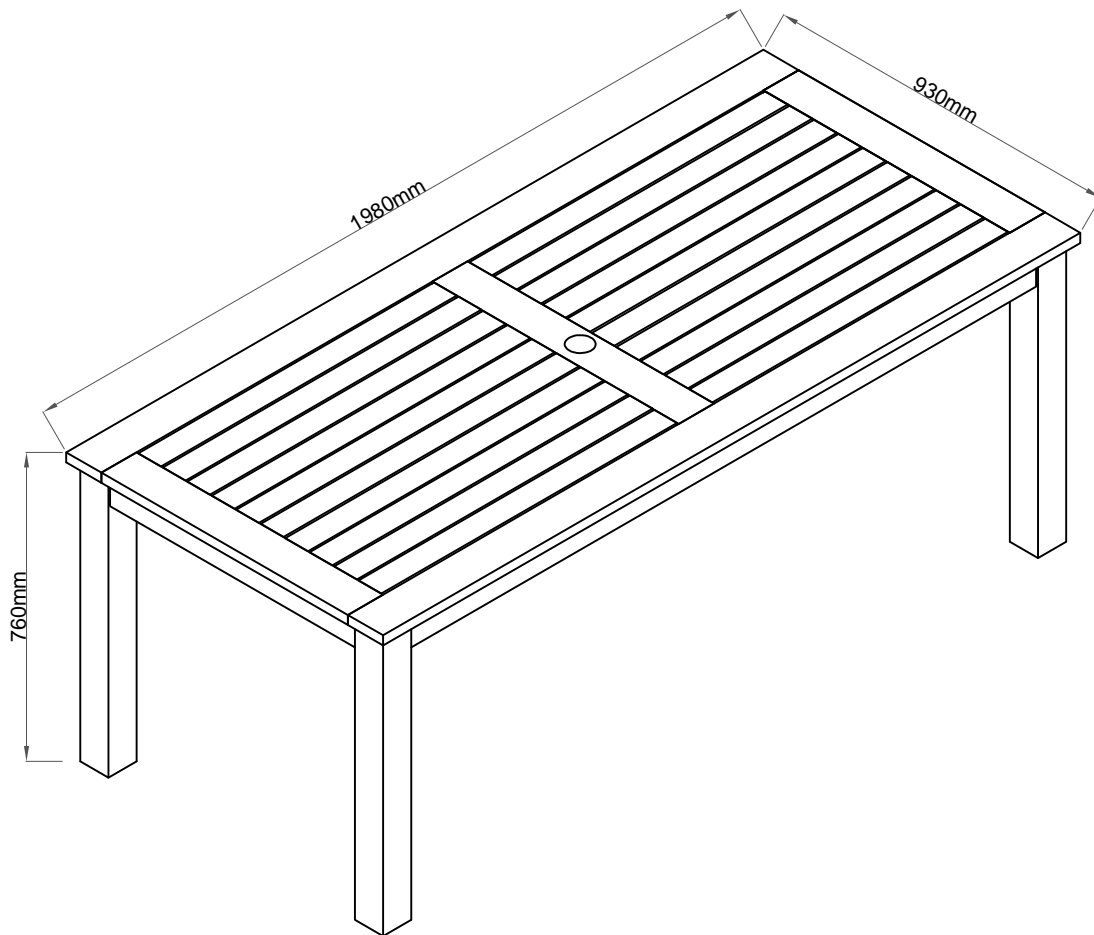


# ASSEMBLY INSTRUCTION

## LILLIAN OUTDOOR DINING TABLE

### ITEM CODE 65488



Imported by Amart Furniture Pty Ltd, Qld, Brisbane Australia.  
For any assistance with assembly or for missing parts please phone  
Amart Furniture, Customer Service Free call 1800 009 466



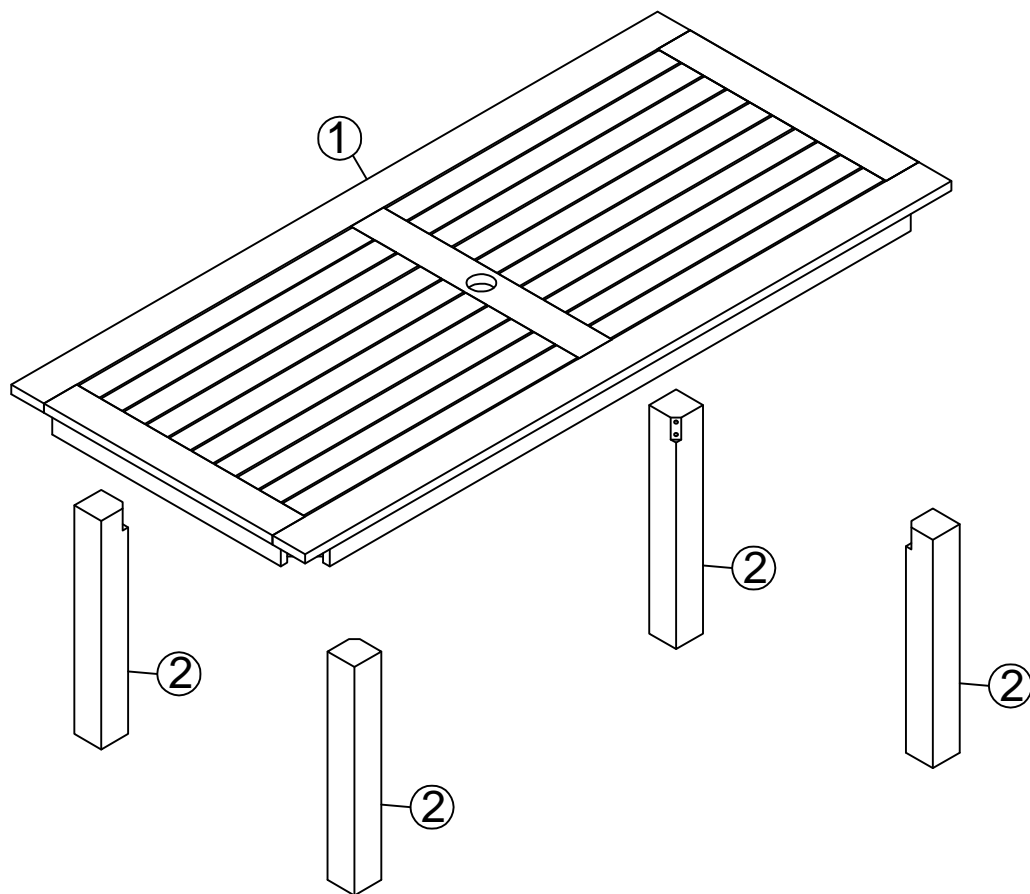
# PRE-ASSEMBLY PREPARATION

## Before you start:

1. Choose a clean, level, spacious assembly area. Avoid hard surfaces that may damage the product
2. Take care when lifting. Product should be assembled as near as possible to the point of use
3. Ensure that you have all required contents for complete assembly
4. Always read the assembly instructions carefully before beginning assembly.
5. Keep all hardware parts and packaging out of reach of small children.
6. Do not over tighten the screws and bolts as this may damage the threads

	
ALLOW 20 MINUTES	2 PEOPLE REQUIRED
ADDITIONAL TOOLS REQUIRED	

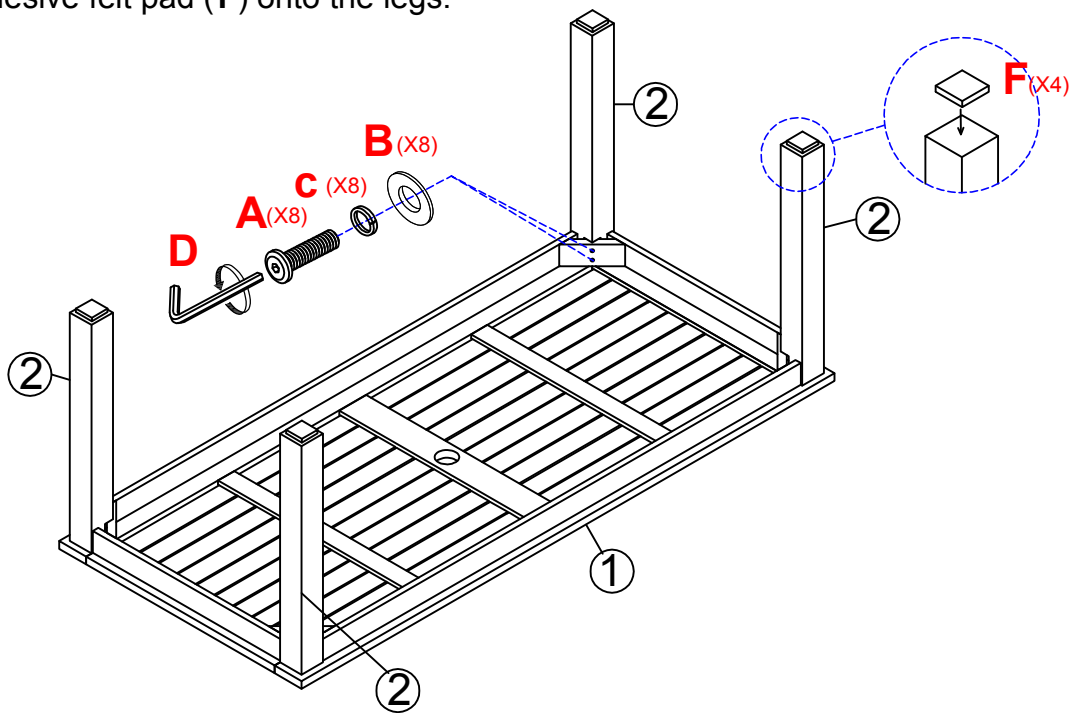
# PARTS LIST



NO.	PARTS LIST	QT'Y
1	Top table	1 pc
2	Legs	4 pcs

NO.	HARDWARE LIST	QT'Y
A	 Bolt M8x60mm	8 pcs
B	 Flat washer M8xØ20	8 pcs
C	 Spring washer M8	8 pcs
D	 Allen Key 4mm	1 pc
E	 Parasol cap	1 pc
F	 Adhesive felt pad 65x65mm	4 pcs

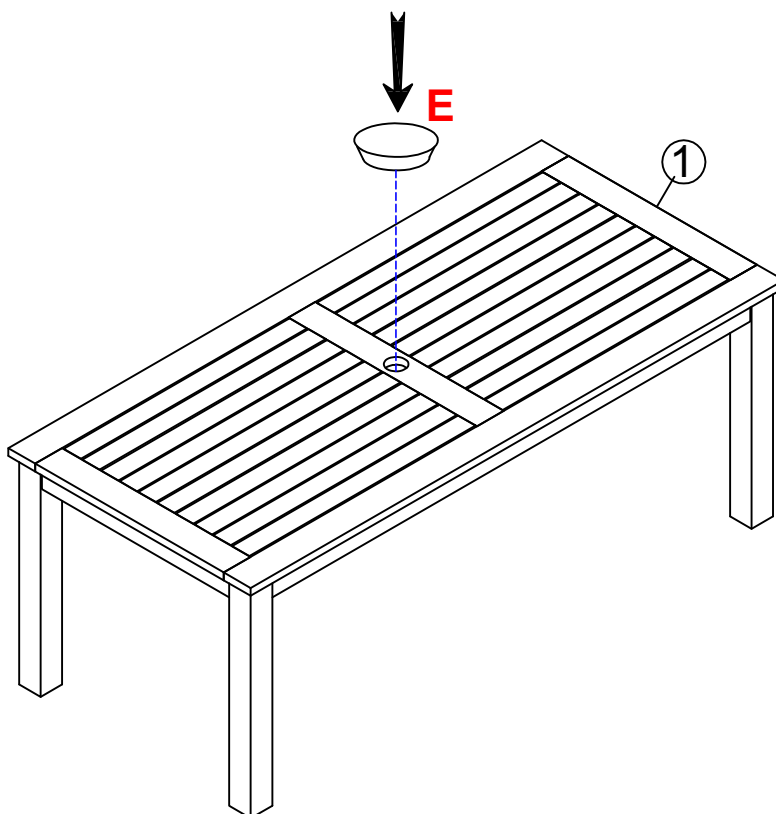
STEP 1: Attach (2) onto (1) using the bolts (A), the flat washers (B) and the spring washers (C), tighten it up by using an allen key (D). Attach adhesive felt pad (F) onto the legs.



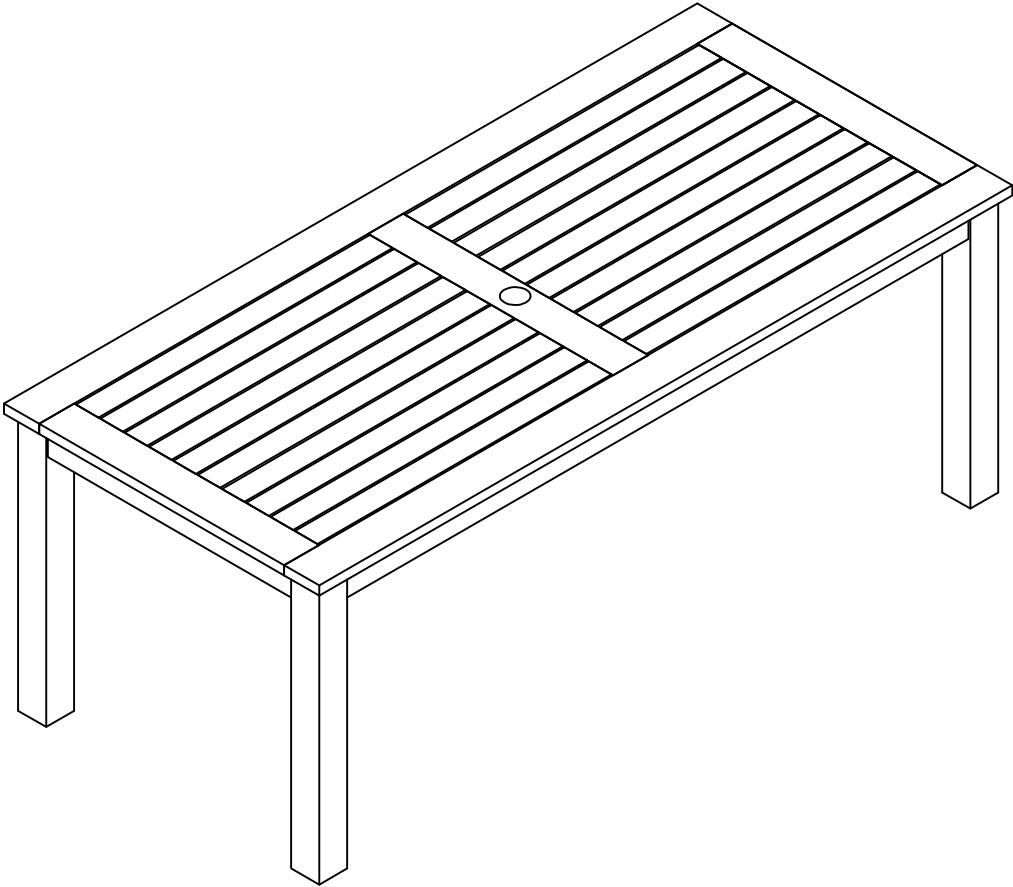
Caution:

- + Please have 2 people when turning Lillian Outdoor Dining Table upright.
- + Failure to attach the adhesive felt pads underneath legs can result in excess moisture absorption resulting in cracking.

STEP 2: Attach (E) onto (1).



ASSEMBLY IS COMPLETE



## **IMPORTANT: CARE GUIDE FOR YOUR TIMBER FURNITURE**

*Congratulations! You have just purchased a quality product from Amart furniture.*

*Please read on for important information regarding your purchase...*

A multi-step finish is applied to all our furniture, but all wood comes from nature. Because of this, there will be natural variations in surface texture and grain like knots, mineral streaks and sap runs that may affect the finish.

These differences in character are not defects, but distinctions that make each piece of furniture unique.

Our furniture is built to last. Following these steps for basic care should protect your investment for years to come.

### **TIMBERS:**

- Prolonged exposure of timber items to the elements may cause premature deterioration
- Regular vacuuming and dusting of items is recommended
- Timber needs regular oiling. Please contact store of purchase for further details
- Minor cracking of timber is a natural process and will not compromise the strength of the timber
  - To extend the life of your product the use of an Amart approved Outdoor Furniture Cover is highly recommended. Please contact store of purchase for further details

